

# AIM-38

## 10.1" Industrial Tablet for Retail Application Powered by Intel® Atom™ Processor



### Features

- Intel® Atom™ processor for Windows 10 IoT & Android 6.0 operating systems
- 10.1" WUXGA full HD display with scratch-resistant Corning® Gorilla® Glass 3 and multi-touch PCAP control
- WLAN, BT, NFC & 4G LTE technologies for seamless communication
- Optional docking stations include vehicle, VESA, and desk docking stations
- Optional extension modules such as 1D/2D barcode scanners and LAN+COM module
- Optional accessories include the stylus, hand strap, and shoulder strap
- Additional modules and accessories can be customized according to application requirements



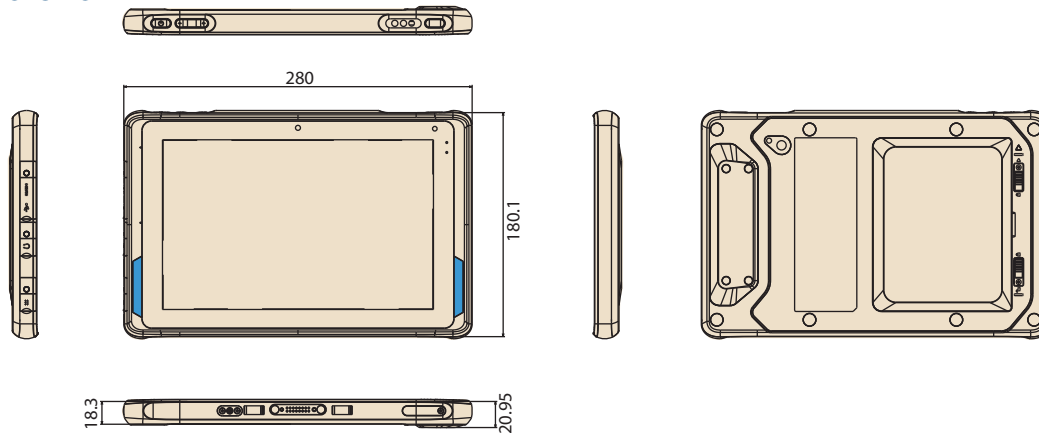
### Specifications

System	Processor	Intel® Atom™ x7-Z8750 quad-core, 1.6 Ghz (2M cache, up to 2.56 Ghz)
	Memory	4 GB LPDDR3 (up to 8 GB)
	OS	Windows 10 IoT Enterprise, AIM Android 6.0
Storage	eMMC	64 GB default (up to 128 GB)
	Type	10.1" FHD LCD
Display	Resolution	WUXGA 1920 x 1200
	Brightness	380/800cd/m <sup>2</sup> (optional)
	Construction	10-Point P-CAP multiple touch Corning® Gorilla® Glass 3
Audio	Speaker	2 x internal speaker(2W)
	Audio Jack	1 x audio combo jack, Combination of stereo audio output and mono microphone input
	Camera	2.0-megapixel auto-focus camera
Sensors	Rear	5.0-megapixel auto-focus camera with LED flash
		Ambient Light Sensor, G-sensor / eCompass
Barcode Scanner	Barcode Scanner (Optional)	Integrated 1D/2D barcode scanner
	Standard I/O	1 x Micro HDMI, 1 x USB 3.0, 1 x Combo audio jack, 1 x 19 Vdc-in jack, 1 x SIM card reader, 1 x Micro SD card reader
I/O Interface	Extended I/O	1 x AIM module pogo pin connector at rear, supporting AIM extension modules
	Docking	1 x 16 pin pogo pin connector
	Buttons	1 x Power button, 2 x Volume keys (Up/Down), 1 x Programmable key
	LED Indicator	Full: Green (100%), Charging: Blue, Low: Red (≤10%)
Wireless Communication	WLAN/Bluetooth	IEEE 802.11a/b/g/n/ac, Bluetooth® v4.1
	WWAN (Optional)	4G LTE module with AGPS
	NFC	13.65MHz, compatible with ISO15693, ISO14443A, ISO 14443B, FeliCa
GNSS	Satellite System (Optional)	Standalone GPS supports GLONASS, Beidou
	Power Adapter	DC Jack: 19V/3.41A, Docking pogo: 9V/2A
Power System	Battery	Hot-swappable smart battery with capacity LED indicators; Capacity: 26 WHr Operating time: Approx. 5.5hrs operation (dependent on user scenario*), Charging time: <3hrs
	Dimensions (W x D x H)	280 x 18.3 x 180.1 mm (11 x 0.7 x 7.1 in)
Environment	Weight	Approx. 980 g (2.2 lb)
	Operating Temperature	-10 ~ 50 °C (14 ~ 122 °F)
	Storage Temperature	-20 ~ 70 °C (-4 ~ 158 °F)
	IP Rating	IP65
	Shock	Operating: 10~20 G, 11 ms, Non-operating: 50 G, 11 ms
	Vibration	Operating: (5~500 Hz) 0.5~1 G, Non-Operating: (5~500 Hz) 0.04 PSD
	Humidity	Operating: 10 ~ 90% @ 40 °C non-condensing Storage: -10 ~ 95% non-condensing
	Altitude	Operating: sea level 0 to 3048m (10k ft), Storage: sea level 0 to 12192m (40k ft)
	Drop Tested	Up to 120cm (4 ft) on to plywood over concrete
	Certifications/Safety/EMC	UL, CB, LVD + Energy Star 6.1, CE, FCC, IC, VCCI, BSMI FCC ID, TELEC, NCC, SRRC, RCM

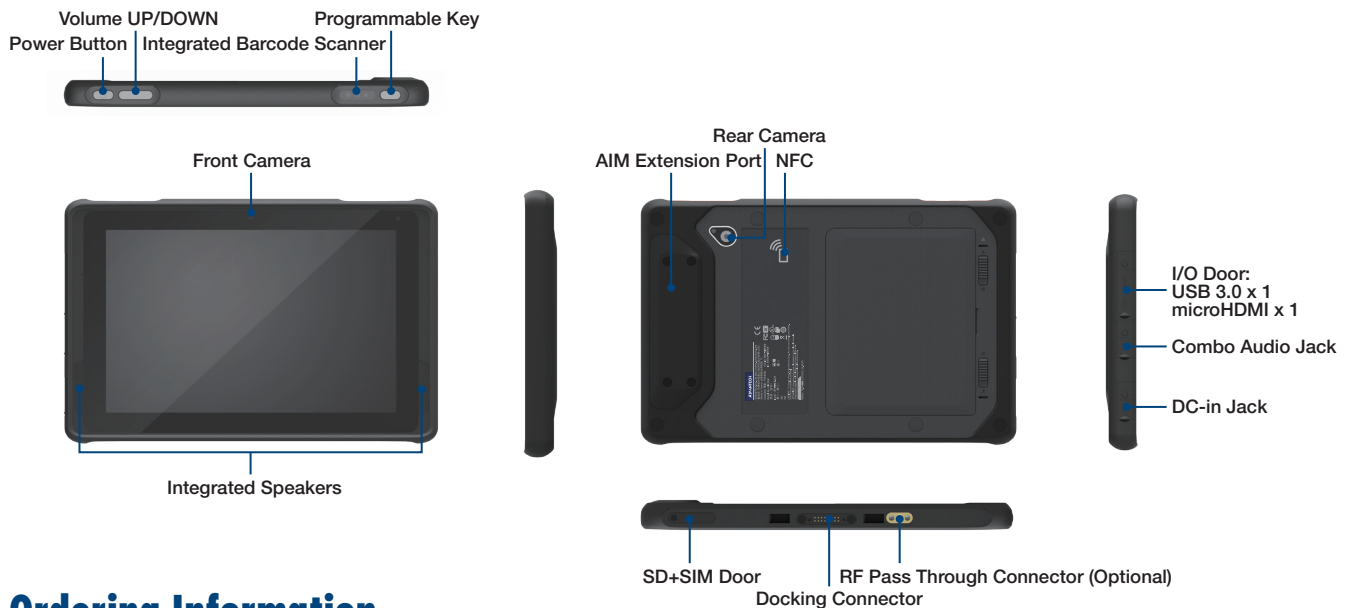
\*: Battery operation and recharge time vary based on various factors, including screen brightness, applications, features, power management, battery condition and other customer preferred settings. Testing method: JEITA 2.0

## Dimensions

Unit: mm



## Front/Rear/Side I/O View



## Ordering Information

Part Number	Configurations	Color	CPU	Memory	Storage	LCD	NFC	Wi-Fi/BT	LTE+GPS	F-Cam	R-Cam	OS
AIM-38CT-C2101000	Black	Intel® CHT I Z8750	4 GB	64 GB	380 nits	V	V	X	2 MP	5 MP	Win 10 IoT Enterprise	
AIM-38CT-C2103000	Black	Intel® CHT I Z8750	4 GB	64 GB	380 nits	V	V	V (NA)	2 MP	5 MP	Win 10 IoT Enterprise	
AIM-38CT-C2105000	Black	Intel® CHT I Z8750	4 GB	64 GB	380 nits	V	V	V (EU)	2 MP	5 MP	Win 10 IoT Enterprise	
AIM-38CT-C2104000	Black	Intel® CHT I Z8750	4 GB	64 GB	800 nits	V	V	V (NA)	2 MP	5 MP	Win 10 IoT Enterprise	
AIM-38CT-C2106000	Black	Intel® CHT I Z8750	4 GB	64 GB	800 nits	V	V	V (EU)	2 MP	5 MP	Win 10 IoT Enterprise	
AIM-38CT-C3101000	Black	Intel® CHT I Z8750	4 GB	64 GB	380 nits	V	V	X	2 MP	5 MP	Android 6.0	
AIM-38CT-C3103000	Black	Intel® CHT I Z8750	4 GB	64 GB	380 nits	V	V	V (NA)	2 MP	5 MP	Android 6.0	
AIM-38CT-C3105000	Black	Intel® CHT I Z8750	4 GB	64 GB	380 nits	V	V	V (EU)	2 MP	5 MP	Android 6.0	
AIM-38CT-C3104000	Black	Intel® CHT I Z8750	4 GB	64 GB	800 nits	V	V	V (NA)	2 MP	5 MP	Android 6.0	
AIM-38CT-C3106000	Black	Intel® CHT I Z8750	4 GB	64 GB	800 nits	V	V	V (EU)	2 MP	5 MP	Android 6.0	

## Optional Accessories

Part Number	Description
1700001947	Power Cord UL 2P 7A 125V 183cm
1700002141	Power Cord PSE 2P 7A 125V 183cm
1700008972	Power Cord CCC 2P 2.5A 250V 183cm
1700001948-11	Power Cord EU 2P 2.5A 250V 183cm
Y4AAIM10019	AIM-38 Adaptor(DC-in to 2P)

## Optional Accessories

Description
1 x AIM-38
1 x AC/DC adaptor
1 x 2-pin power cord (USA)

# VESA Dock

## VESA Docking Station for AIM-38



### Features

- 9 ~ 32 V wide input voltage range
- VESA (75 x 75 mm)-compliant docking stations
- -10 ~ 50 °C (14 ~122 °F) operating temperature
- Reliable docking connector for office applications

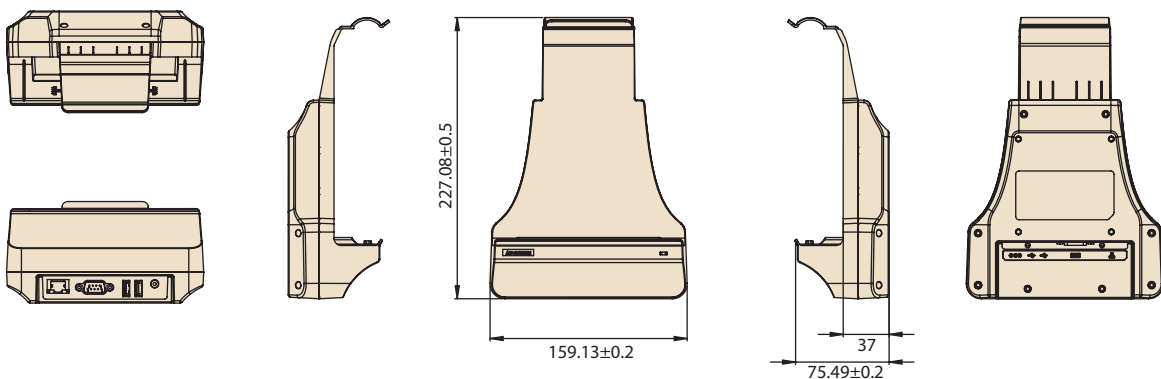
CE FCC

### Specifications

		AIM 10 VESA Advanced Dock	AIM 10 VESA Dock with USB
I/O		AIM 10 VESA Advanced Dock 2 x USB 3.0/2.0 1 x RS-232 COM 1 x Gigabit LAN 1 x Power jack	AIM 10 VESA Dock with USB 2 x USB 2.0 1 x Power jack
Stand		N/A	N/A
Power	Input Voltage	9 ~ 32V	19V
Mechanical	Dimensions (W x D x H)	159.13 x 75.49 x 227 mm (6.3 x 2.9 x 8.9 in)	159.13 x 75.49 x 227 mm (6.3 x 2.9 x 8.9 in)
	Weight	0.282 kg (0.62 lb)	0.28 kg (0.61 lb)
Environment	Operating Temperature	-10 ~ 50 °C (14 ~122 °F); 0 ~ 40 °C (32 ~104 °F) for charging	-10 ~ 50 °C (14 ~122 °F); 0 ~ 40 °C (32 ~104 °F) for charging
	Storage Temperature	-20 ~ 70 °C (-4 ~ 158 °F)	-20 ~ 70 °C (-4 ~ 158 °F)
	Safety	UL, CB, LVD, CCC	UL, CB, LVD, CCC
	Certifications	CE, FCC, CCC	CE, FCC, CCC

### Dimensions

Unit: mm



### Ordering Information

Part Number	Description
AIM-VSD0-0470	AIM 10 VESA Advanced Dock
AIM-VSD0-0471	AIM 10 VESA Dock with USB

# Desk Dock

## Desk Docking Station for AIM-38



### Features

- -10 ~ 50 °C (14 ~122 °F) operating temperature
- Reliable docking connector for office applications

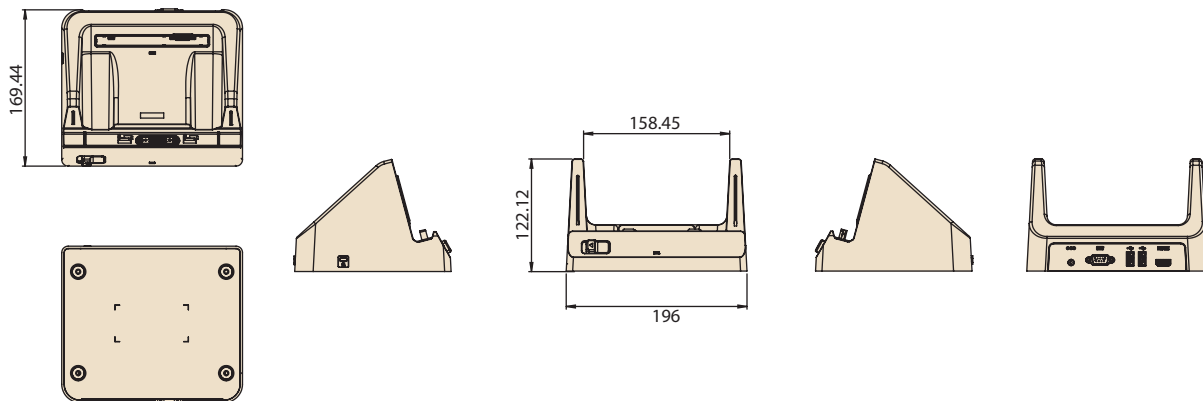
CE FCC CCC

### Specifications

		AIM 10 Desk Advanced Docking Station	AIM 10 Desk Docking Station
I/O		2 x USB 2.0 1 x RS-232 COM 1 x Power jack 1 x HDMI	2 x USB 2.0 1 x Power jack
Power	Input Voltage	19V	19V
Mechanical	Dimensions (W x D x H)	196 x 169.44 x 122.12 mm (7.72 x 6.67 x 4.81 in)	196 x 169.44 x 122.12 mm (7.72 x 6.67 x 4.81 in)
	Weight	0.745 kg (1.64 lb)	0.73 kg (1.60 lb)
Environment	Operating Temperature	-10 ~ 50 °C (14 ~122 °F); 0 ~ 40 °C (32 ~104 °F) for charging	-10 ~ 50 °C (14 ~122 °F); 0 ~ 40 °C (32 ~104 °F) for charging
	Storage Temperature	-20 ~ 70 °C (-4 ~ 158 °F)	-20 ~ 70 °C (-4 ~ 158 °F)
	Safety	CE, FCC, CCC	UL, CB, LVD, CCC
	Certifications	UL, CB, LVD, CCC	CE, FCC, CCC

### Dimensions

Unit: mm



### Ordering Information

Part Number	Description
AIM-OFD0-0480	AIM 10 Desk Advanced Docking Station
AIM-OFD0-0481	AIM 10 Desk Docking Station

# Multiple Charging Station

## Multi-Bay Charging Station for AIM-38



### Features

- Can charge up to 4 batteries simultaneously
- Overcurrent and overvoltage protection provided
- LED indicators for monitoring charging status

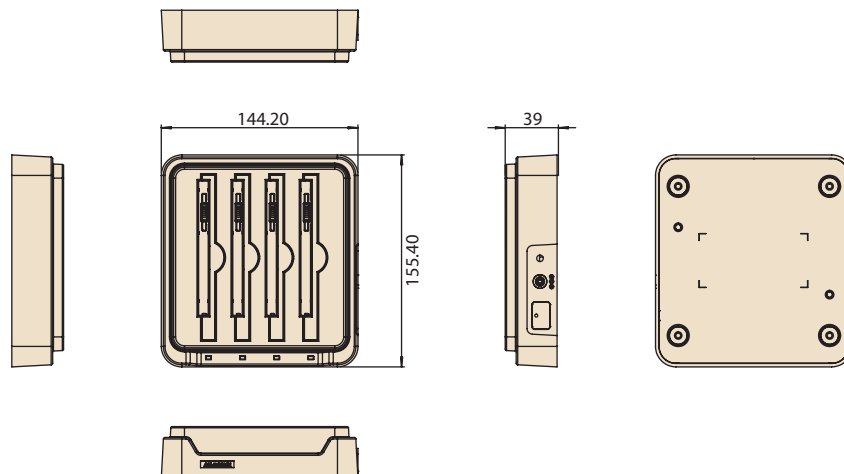


### Specifications

		Multi-Bay Charging Station for AIM
Capacity	Number of Bays	4
	Charging Current	1 A
Power	Charging Voltage	12.6 V
	Input Voltage	19 V
	LED Indicators	Green: Full Amber: Charging Red: Error
Mechanical	Dimensions (W x D x H)	144.2 x 155.4 x 39 mm (5.7 x 6.1 x 1.5 in)
	Weight	0.48 kg (1.05 lb)
	Operating Temperature	0 ~ 40 °C (32 ~ 104 °F)
Environment	Storage Temperature	-10 ~ 50 °C (14 ~ 122 °F)
	Safety	UL, CB, LVD, CCC, RCM
	Certifications	CE, FCC, CCC, RCM, BSMI

### Dimensions

Unit: mm



### Ordering Information

Part Number	Description
AIM-MBC0-0051	Multi-Bay Charging Station for AIM

# AIM-38 Extensions and Accessories

## Extension Modules

**Barcode Scanner (20°)**



**Barcode Scanner (70°)**



**LAN + COM Module**



**UHF RFID Reader**



Part Number	AIM-P511A0	AIM-EXT0-0041	AIM-EXT0-0046	AIM-EXT0-0047 (EU) AIM-EXT0-0049 (NA)
<b>Feature</b>	<ul style="list-style-type: none"> <li>▪ Sensor: 640 x 480 CMOS sensor</li> <li>▪ Illumination &amp; Aiming: White LED illumination/Red LED dot aimer</li> <li>▪ Frame rate: 30 fps</li> <li>▪ Field of view: Horizontal: 37.8°; Vertical: 28.8°</li> </ul>	<ul style="list-style-type: none"> <li>▪ Sensor: 640 x 480 CMOS sensor</li> <li>▪ Illumination &amp; Aiming: White LED illumination/Red LED dot aimer</li> <li>▪ Frame rate: 30 fps</li> <li>▪ Field of view: Horizontal: 37.8°; Vertical: 28.8°</li> </ul>	<ul style="list-style-type: none"> <li>▪ 1 x 10/100 Ethernet port</li> <li>▪ 1 x COM port</li> </ul>	<ul style="list-style-type: none"> <li>▪ RFID output power: 25 watt</li> <li>▪ RFID antenna type: Linear polarization</li> <li>▪ Frequency: EU: 867 ~ 869MHz; US: 913 ~ 917 MHz</li> <li>▪ Tag standard supported: EPC Class 2 Gen. 2/ ISO 18000-6C</li> </ul>
<b>Dimensions</b>	130.2 x 38.7 x 27.8 mm (5.12 x 1.52 x 1.09 in)	130.2 x 38.7 x 32 mm (5.12 x 1.52 x 1.25 in)	130.2 x 70 x 29 mm (5.12 x 2.75 x 1.14 in)	130.2 x 63.6 x 65.9 mm (5.12 x 2.5 x 2.59 in)
<b>Weight</b>	0.042 kg (0.092 lb)	0.042 kg (0.092 lb)	0.078 kg (0.171 lb)	0.08 kg (0.176 lb)

## Accessories

**Hand Strap**



**Shoulder Strap**



**Active Stylus**



**Battery with Meter**



Part Number	AIM-SRP0-0000	AIM-SRP0-0001	AIM-P704	AIM-BATO-0452
<b>Color</b>	Black	Black	Black	Black
<b>Dimensions</b>	240 x 20 mm (9.44 x 0.78 in)	380 x 135 x 20 mm (14.96 x 5.31 x 0.78 in)	140 x 9.7 mm (5.51 x 0.38 in)	120 x 87 x 7.5 mm (4.72 x 3.43 x 0.30 in)
<b>Weight</b>	0.022 kg (0.048 lb)	0.05 kg (0.11 lb)	0.02 kg (0.044 lb)	0.147 kg (0.324 lb)